



SERVICE PARTS LIST

BUL. 54-06-020C

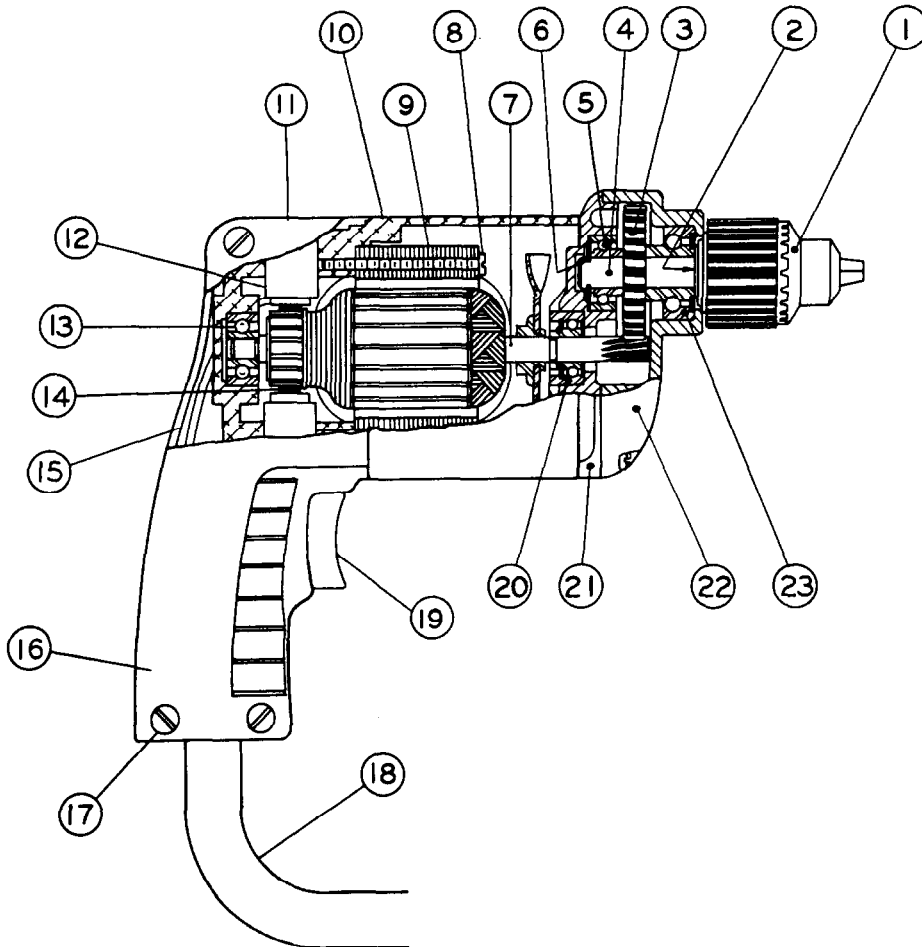
1/4" PISTOL DRILL

REVISED BUL. 6376-1 DATE FEB. '68
WIRING INSTR.

Catalog No. 0101

Starting Serial No. 376-1001

Both Model and Serial No. must be furnished to obtain correct parts.



CORRECTS AND SUPERSEDES SERVICE BULLETIN 6376-1 DATED 1/28/66

ILLUSTRATED PARTS

FIG.	PART NO.	DESCRIPTION OF PART	NO.REQ.	FIG.	PART NO.	DESCRIPTION OF PART	NO.REQ.
1	48-66-0260	Chuck		13	02-04-0740	Ball Bearing	
2	45-88-0250	Chuck Washer		14	22-18-0360	Carbon Brush Assy.	(2)
3	32-75-1901	Spindle Gear		15	31-44-0111	Left Hand Handle Half	
4	38-50-3451	Spindle		16	31-44-0100	Right Hand Handle Half	
5	02-08-0375	Spindle Ball Bearing (Rear)		17	06-81-3650	8-32x 3/4 Oval Hd. Handle Screw	(4)
6	34-60-0700	Spindle Retaining Ring		18	22-64-0450	Cord Set	
7	16-22-1150	Armature		19	23-66-0560	Switch	
8	06-81-5950	6-32x1-7/8 Fil. Hd. Field Screw	(2)	20	02-04-0740	Ball Bearing	
9	18-22-1030	Field Assy.		21	28-28-0941	Diaphragm	
10	28-50-6091	Motor Housing		22	28-14-1001	Gear Case	
11	23-44-0020	Brush Retaining Cap	(2)	23	02-40-1000	Spindle Ball Bearing	
12	22-22-0251	Brush Holder Assy.	(2)				

MISCELLANEOUS PARTS NOT SHOWN

PART NO.	DESCRIPTION OF PART	NO.REQ.	PART NO.	DESCRIPTION OF PART	NO.REQ.
12-98-0600	Name Plate		45-30-0120	Ball Bearing Slug (Body)	
06-81-3600	8-32 x 3/8 Oval Hd. Handle Mtg. Screw	(4)	06-81-6150	8-32 x 1/2" Fil. Hd. Sems Diaphragm Screw	(2)
06-81-4300	3-48 x 3/16 Rd. Hd. Name Plate Screw	(2)	06-81-6300	8-32 x 7/8" Fil. Hd. Sems Gear Case Screw	(4)
06-83-0100	10-32 x 1/4 Brush Holder Set Screw	(2)	48-66-3200	Chuck Key	
06-81-8625	6-32 x 1/4 Brass Rd. Hd. Ground Screw		48-03-0010	Attachment Plug Adaptor	
48-66-4080	Key Holder		45-88-0250	Washer	
			45-30-0070	Ball Bearing Retaining Slug	
			06-42-0400	Woodruff Key	